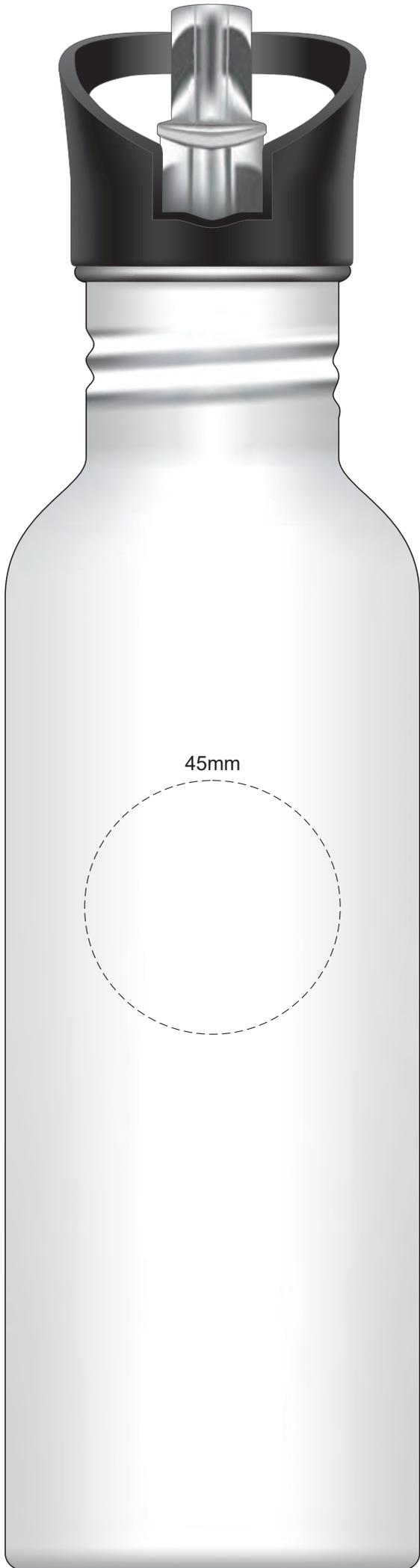
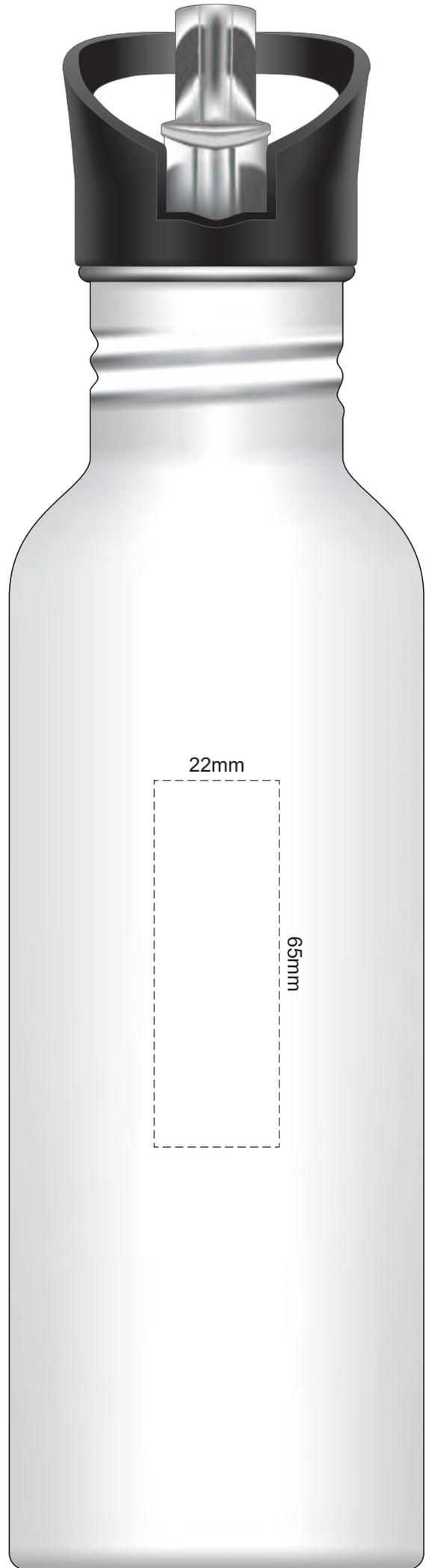


100% of Actual Size
Pad Print



100% of Actual Size
Pad Print





90% of Actual Size
Screen Print

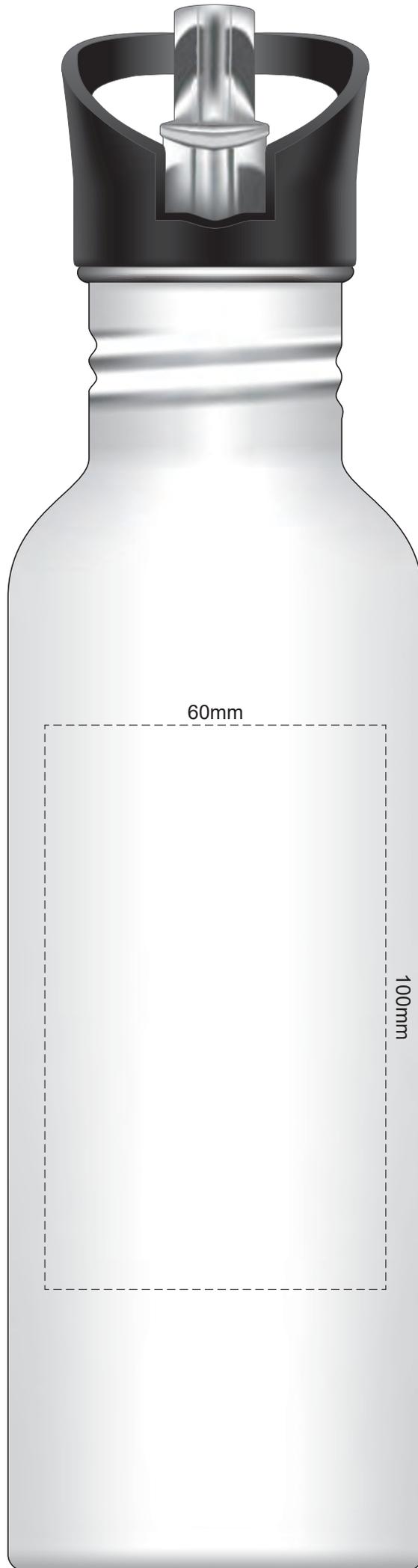
180mm

Approximately 20mm unprintable area

Approximately 20mm unprintable area
120mm

Red Line = Exact opposites of the product
(centre artwork to the red line)

100% of Actual Size
Engraving



Stainless Engraves to a Natural Etch
Colours Engraves to a Shiny Steel Finish



80% of Actual Size
Rotary Digital
(Gloss Finish)

224mm

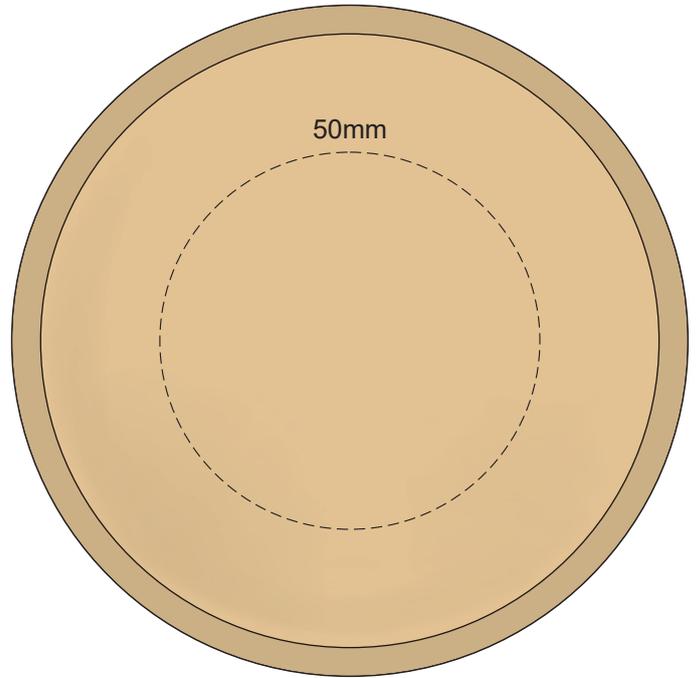
Approximately 1mm unprintable area

Approximately 1mm unprintable area
163mm

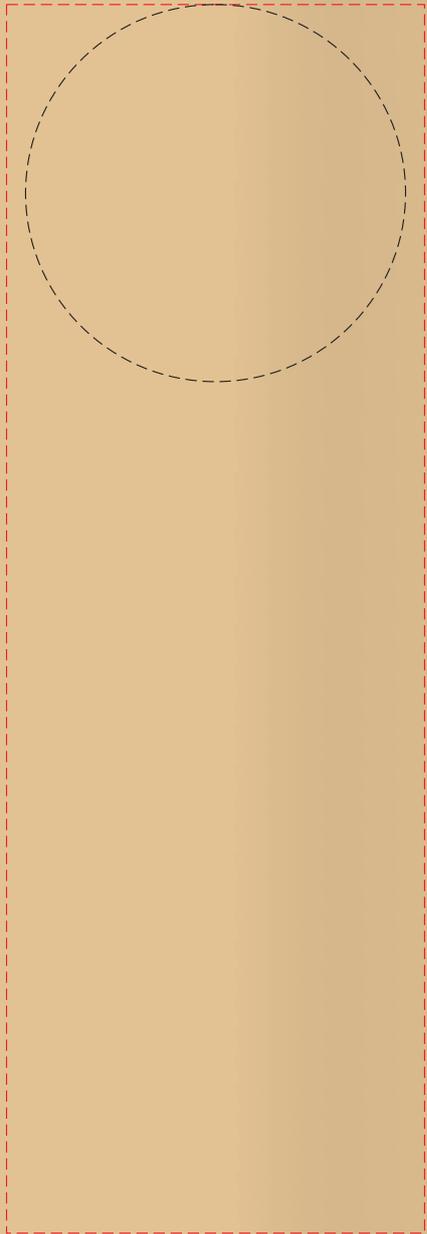
Red Line = Exact opposites of the product
(centre artwork to the red line)



100% of Actual Size
Pad Print (one colour)

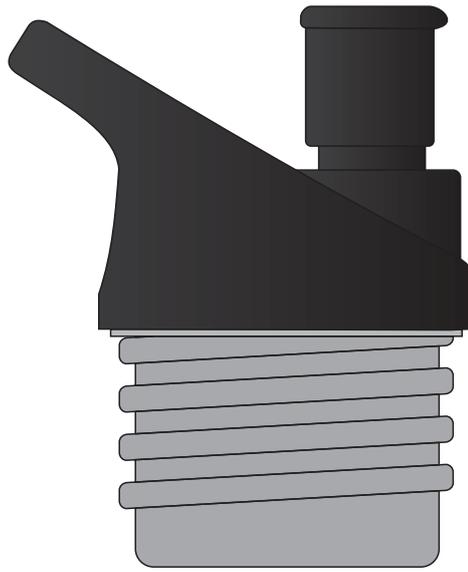


50mm



Branding area can be moved anywhere within the red line

SIPPER LID



CARABINER LID



FLIP VALVE LID

